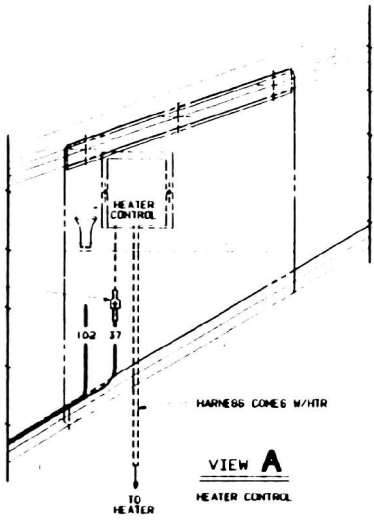
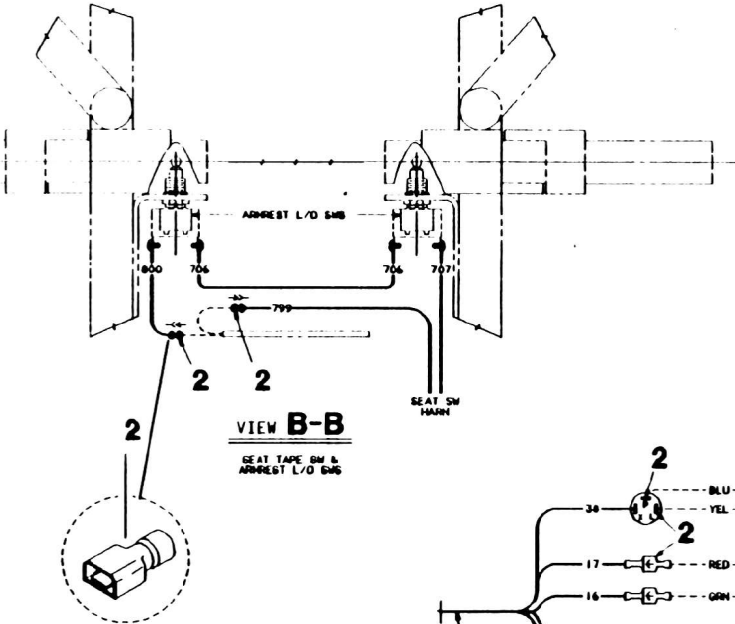


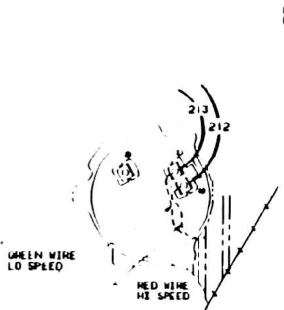
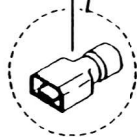
2



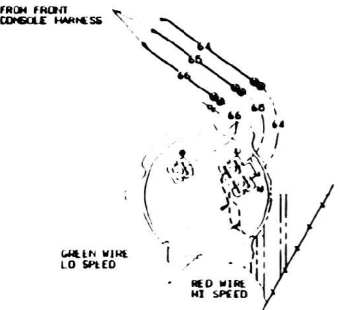
**VIEW A**  
HEATER CONTROL



**VIEW B-B**  
SEAT TAPES ON L/0 HARNESS



**VIEW C**  
GNYLGH T WIPER MOTOR



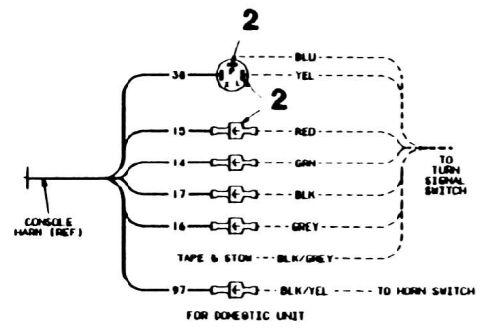
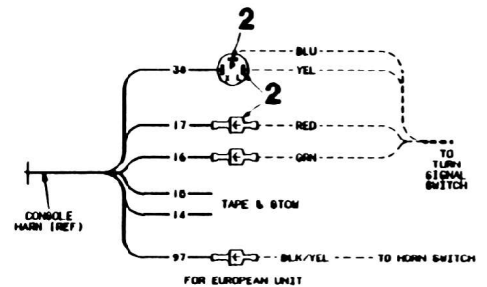
**VIEW D**  
WINDSHIELD WIPER MOTOR



**VIEW E**  
SKYLIGHT WIPER SWITCH



**VIEW F**  
STROBE LIGHT SWITCH



**VIEW G**  
TURN SIGNAL CORN & HORN

